

2
0
2
2

BRZ



The all-new **BRZ**. Sports car purity, Subaru DNA.



Rediscover rubber and road.

Introducing the all-new 2022 BRZ.

Driving should feel like driving. It's a simple, undeniable idea that gets right at the heart of the all-new BRZ, a hyper-focused, thrillingly pure sports car—now with more power, more torque and quicker acceleration. You're the driver, and the BRZ won't let you forget it.



Pure Sports Car

This BRZ is all-new, but it's still rooted in the classics—a front-engine, rear-wheel drive layout paired with a six-speed manual transmission. You can also opt for the redesigned six-speed automatic with paddle shifters and rev matching to get that feeling of control from shifting.



Engineered To Be Driven

Reengineered and reinvigorated, the 2022 BRZ features an all-new 2.4-liter SUBARU BOXER® engine with 228 hp and 184 lb-ft of torque, now delivered sooner and across a wider rev range. That bump in power is in your control, thanks to a stiffened chassis, track-tested suspension, ultra-low center of gravity and balanced weight distribution. Plus, as a Subaru, you know the BRZ is built to last—96% of Subaru vehicles sold in the last 10 years are still on the road today.¹



Driver-Focused

At the center of its design is you. That's why everything inside the BRZ is oriented to put the driver in control, from the placement of the pedals, shifter and leather-wrapped steering wheel to the low-mounted performance-design front seats locking you into position.



Connected

The BRZ creates a sense of connection all around you with intuitive designs, including an all-new, customizable digital instrument cluster and standard SUBARU STARLINK® Multimedia with Apple CarPlay® and Android Auto™ integration. You can also set the perfect temperature even before you step in, thanks to Remote Engine Start with Climate Control.^{2,3} For greater peace of mind, you have advanced safety systems like Subaru EyeSight® Driver Assist Technology,^{4,5} Blind-Spot Detection and Rear-Cross Traffic Alert.^{2,6}



¹ Based on Experian Automotive vehicles in operation vs. total new registrations for MY2011–2020 as of December 2020. ² Availability varies by trim level. See your retailer for details. ³ Requires automatic transmission and subscription to STARLINK® Safety and Security Plus services. 6-month free trial included. Not available in all states. See your retailer for details. ⁴ Requires automatic transmission. ⁵ EyeSight® is a driver assist technology, which may not operate optimally under all driving conditions. The driver is always responsible for safe and attentive driving. System effectiveness depends on many factors such as vehicle maintenance, weather and road conditions. See Owner's Manual for complete details on system operations and limitations. ⁶ Blind-Spot Detection, Lane Change Assist and Rear Cross-Traffic Alert are systems designed to assist the driver by monitoring the rear and side areas of the vehicle during a lane change or reversing and are not a substitute for safe and attentive driving.

“It’s like driving
with a razor blade.”

— Scott Speed
Rallycross Driver, Subaru Motorsports

Driver-approved performance and handling.

After one lap in the all-new BRZ, racing legend Scott Speed knew this was more than a styling refresh. He immediately noticed it was quicker off the line. He felt the 18% increase in torque from the direct-injection SUBARU BOXER® engine—which now delivers 228 hp for more standard horsepower than the Mazda MX-5 Miata, Honda Civic Sport and Mini Cooper S Hardtop.¹ When it came to cornering, Scott was quick to point out the enhanced control and precision, thanks to a track-tested, Subaru-engineered suspension and Michelin® Pilot® Sport 4 tires.² Needless to say, Scott is a fan of sharp objects.

¹ Based on competitor information from manufacturer websites as of September 2021.
² Availability varies by trim level. See your retailer for details.



© | 2022 BRZ

BRZ Limited in Ice Silver Metallic.



BRZ Limited with Black Ultrasuede® and Leather.

1 Requires automatic transmission. See your retailer for details. 2 Availability varies by trim level. See your retailer for details. 3 Requires automatic transmission and subscription to STARLINK® Safety and Security Plus services. 6-month free trial included. Not available in all states. See your retailer for details.

Cockpit, not interior.

In here, all that matters is that you're the driver. Low-mounted performance-design front seats keep you centered and in place, while the perfectly placed pedals, shifter and leather-wrapped steering wheel let you make your maneuvers decisively. The BRZ is also practical, with comforts like dual-zone automatic climate control and conveniences like a folding rear seatback. With a customizable digital instrument cluster featuring Normal, Sport¹ and Track display modes, you can dial in your drive with only the information you want to see. For easy access to music and apps, there's standard SUBARU STARLINK® Multimedia with Apple CarPlay® and Android Auto™ integration. And thanks to Remote Engine Start with Climate Control,^{2,3} you can set the perfect temperature even before you get in.



Engineering for the senses.



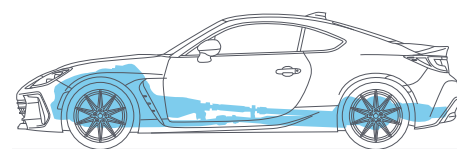
2,815-POUND
CURB WEIGHT¹

[17.95"]
CENTER OF
GRAVITY HEIGHT

ENGINE PLACEMENT

WEIGHT SPLIT: FRONT [53]

REAR [47]

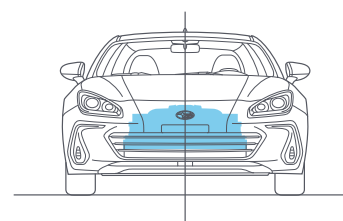


Light and Balanced

As the only rear-wheel drive Subaru, the BRZ is a marriage of ideals and engineering. Its classic front-engine layout has been carefully honed for a balanced weight distribution, and its revised chassis boasts a **50% increase in torsional rigidity** while still maintaining a low weight.

Low Coefficient of Drag

To a sports car, wind is like weight—the more of it you have to move, the more it takes from your ability to perform. Features like a channeled roof, aerodynamic underbody panels and a rear diffuser help the BRZ cut through the air and sharpen its performance.

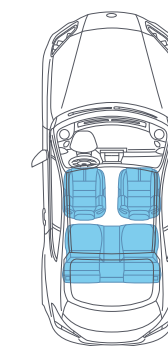


SUBARU BOXER® Engine

The heart and soul of the BRZ is an all-new 2.4-liter SUBARU BOXER® engine with **228 hp** and **184 lb-ft of torque**. Designed to be light, low and stable, the BOXER engine has been optimized to deliver power and torque even quicker and over a wider rev range.

Ultra-Low Center of Gravity

Not only was the engine designed to be compact, allowing it to be mounted lower in the chassis, every element of the BRZ was placed as low as possible, from the roofline to the seating position. It all works together to give the 2022 BRZ an even lower center of gravity—just **17.95 inches**.



Performance-Design Seats

When you're deep in the corners, you'll be glad that the BRZ comes standard with supportive front seats with deep bolsters and available Ultrasuede® inserts, which provide extra grip to help keep you in the pocket.

Responsiveness

The driver-focused BRZ features a quick-ratio **13.5:1** electric power-assisted rack-and-pinion steering system. Further control is offered in two forms: a close-ratio six-speed manual transmission or a redesigned six-speed automatic with paddle shifters and rev-matching downshift control.



Peace of mind and performance coexist.

The all-new BRZ now offers a wider range of available safety innovations, including LED Steering Responsive Headlights¹ with High Beam Assist,² SUBARU STARLINK® Safety and Security,^{1,3} Blind-Spot Detection and Rear Cross-Traffic Alert.^{1,4} It's also the first time BRZ has offered Subaru EyeSight® Driver Assist Technology,^{2,5} a suite of systems designed to watch the road ahead, alert you and even intervene to help avoid a collision. Subaru EyeSight® Driver Assist Technology reduces the rate of rear-end crashes with injuries by up to 85%.⁶



BRZ Limited in Sapphire Blue Pearl.

How EyeSight® Looks Ahead



Pre-Collision Braking

Can help slow and bring your BRZ to a full stop if necessary.



Lane Departure and Sway Warning

Can alert you if you drift to the edge of your lane and begin to cross into another.



Adaptive Cruise Control

Traffic doesn't always flow smoothly. EyeSight® can keep a set speed, look ahead and help your BRZ automatically adjust to keep your distance, even in stop-and-go traffic.



Pre-Collision Throttle Management

Can reduce engine power to help give you more time to react and to help minimize the possible impact force and frontal impact damage.

1 Availability varies by trim level. See your retailer for details. 2 Requires automatic transmission. 3 Activation with subscription required. Includes a 3-year trial subscription to Safety Plus services and a 6-month trial subscription to Safety and Security Plus services. The Concierge plan can be purchased annually or monthly. A credit card on file will be required for specific packages and for renewal purposes. Not available in all states. See your retailer for details. 4 Blind-Spot Detection, Lane Change Assist and Rear Cross-Traffic Alert are systems designed to assist the driver by monitoring the rear and side areas of the vehicle during a lane change or reversing and are not a substitute for safe and attentive driving. 5 EyeSight® is a driver assist technology, which may not operate optimally under all driving conditions. The driver is always responsible for safe and attentive driving. System effectiveness depends on many factors such as vehicle maintenance, weather and road conditions. See Owner's Manual for complete details on system operations and limitations. 6 Based on IIHS reporting data as of January 2017 from MY2013-2015 Subaru models equipped with EyeSight® through 2014. Claim is for demonstration purposes only.



Subaru is a five-time **Best Performance Brand** winner, according to Kelley Blue Book.¹



Subaru vehicles **hold their value** better than any other brand?²



Subaru has the **highest Brand Loyalty** in the automotive industry for three years in a row.³



Subaru is Kelley Blue Book's **Most Trusted Brand** seven years running.⁴



96% of Subaru vehicles sold in the last 10 years are still on the road today.⁵

1 2015-2017, 2020-2021 Kelley Blue Book Brand Image Awards are based on the Brand Watch™ study from Kelley Blue Book. Award calculated among non-luxury shoppers. For more information, visit www.kbb.com. Kelley Blue Book is a registered trademark of Kelley Blue Book Co., Inc. 2 ALG named Subaru the 2016-2019, 2021 Top Mainstream Brand for Residual Value. Award based on ALG's residual value forecasts for the 2016-2019, 2021 model years. ALG is the industry benchmark for residual values and depreciation data (www.alg.com). 3 For J.D. Power 2019-2021 award information, visit jdpower.com/awards. 4 2015-2021 Kelley Blue Book Brand Image Awards are based on the Brand Watch™ study from Kelley Blue Book. Award calculated among non-luxury shoppers. For more information, visit www.kbb.com. Kelley Blue Book is a registered trademark of Kelley Blue Book Co., Inc. 5 Based on Experian Automotive vehicles in operation vs. total new registrations for Model Years 2010-2020 as of December 2020.



BRZ Premium

- 228-hp direct-injection 2.4-liter 4-cylinder SUBARU BOXER® engine
- Close-ratio 6-speed manual transmission or 6-speed automatic transmission with manual-mode paddle shifters and rev-matching downshift control
- Sport-tuned suspension
- Multi-spoke 17-inch aluminum-alloy wheels
- Auto-on/off LED headlights and taillights
- Functional front bumper, fender and rear bumper vents
- Integrated front bumper underspoiler
- Side rocker spoilers
- Integrated ducktail rear spoiler
- Heated exterior mirrors
- 7.0-inch customizable digital gauge cluster with Normal, Sport¹ and Track display modes, digital speedometer, tachometer, coolant temperature and fuel level displays, G-force meter and lap time displays and other vehicle functions
- Cloth upholstery
- Leather-wrapped steering wheel with audio system, Bluetooth® and meter display controls
- Auto-up/down power windows
- Electronic cruise control
- Rear-Vision Camera
- Keyless Access with Push-Button Start
- Anti-theft security system
- SUBARU STARLINK® 8.0-inch Multimedia Plus system with Apple CarPlay® and Android Auto™ integration, STARLINK® cloud-based applications, high-resolution LCD touchscreen display, voice-activated controls, SiriusXM®⁰² and SiriusXM Travel Link,®⁰² AM/FM stereo with HD Radio,® dual USB input ports, 6 speakers, and Bluetooth® audio streaming and hands-free phone and text messaging connectivity
- EyeSight® Driver Assist Technology^{1,3}
- High Beam Assist¹
- Carpeted floor mats with embroidered BRZ logo and red stitching

BRZ Limited

Includes BRZ Premium key features and adds:

- 18-inch aluminum-alloy wheels with Michelin® Pilot® Sport 4 summer-performance tires
- LED Steering Responsive Headlights
- Ultrasuede® and leather-trimmed upholstery
- Aluminum-alloy sill cover inserts
- Brin Naub® instrument cluster meter visor
- 8 speakers with 2-channel amplifier
- Dual-mode heated front seats
- STARLINK® Safety and Security enabled⁴: Includes features and services such as Advanced Automatic Collision Notification, Remote Engine Start with Climate Control^{1,5} and Concierge Services
- Blind-Spot Detection with Lane Change Assist and Rear Cross-Traffic Alert⁶
- Reverse Automatic Braking⁷



Engine and Drivetrain

Engine Power | Torque 2.4-liter DOHC aluminum-alloy 16-valve 4-cylinder horizontally opposed SUBARU BOXER® engine with Dual Active Valve Control System (DAVCS).
228 hp @ 7,000 rpm | 184 lb-ft @ 3,700 rpm

Fuel System Direct and port fuel injection

Manual Transmission Fully synchronized close-ratio 6-speed manual with Incline Start Assist

Automatic Transmission 6-speed electronic automatic transmission with Sport and Snow modes, manual mode with paddle shifters, rev-matching downshift control, Adaptive Control and Incline Start Assist.

Traction and Stability

Drivetrain Rear-wheel drive

Rear Differential TORSEN® limited slip

Vehicle Stability Control (VSC) Includes performance-oriented Track Mode

Traction Control System (TCS)

Fuel

Fuel Economy city/highway/combined⁸

Manual: 20/27/22 mpg
Automatic: 21/30/25 mpg

Fuel Requirement Premium unleaded gasoline (93 octane)

Fuel Capacity 13.2 gallons

Chassis

Steering Electric power-assisted quick ratio rack-and-pinion steering (EPAS). Ratio: 13.5:1.
Turns lock-to-lock: 2.5. Turning circle: 35.4 feet.

Suspension Sport-tuned 4-wheel independent. **Front:** Strut-type with lower L-arm, v-shaped strut tower bar and stabilizer bar. **Rear:** Double-wishbone with shock absorber and stabilizer bar.

Brakes 4-wheel disc, ventilated front and rear. Dual-piston front and single-piston rear calipers.
4-channel, 4-sensor ABS with Electronic Brake-force Distribution (EBD).

Brake Discs (front/rear) 11.6 inches/11.4 inches.

Brake Assist When emergency braking is detected by how quickly the brake pedal is pressed, maximum brake pressure is immediately applied.

Brake Override System If both brake and accelerator pedals are pressed simultaneously, the system reduces the operation of the accelerator pedal to help prevent unintentional vehicle acceleration.

Wheels and Tires

Wheels **BRZ Premium:** 17 x 7.5-inch multi-spoke aluminum-alloy. High luster gray finish.
BRZ Limited: 18 x 7.5-inch multi-spoke aluminum-alloy. Matte dark gray finish.

Tires **BRZ Premium:** 215/45 R17 87W Summer-performance.
BRZ Limited: 215/40 R18 85Y Michelin® Pilot® Sport 4 Summer-performance.

● Standard ○ Optional — Not equipped

2022 BRZ | Equipment

	BRZ Premium	BRZ Limited
Exterior		
LED projector low- and high-beam headlights	●	●
LED Steering Responsive Headlights (SRH)	—	●
LED taillights	●	●
Integrated front bumper underspoiler	●	●
Side rocker spoilers	●	●
Functional vents: front bumper, fenders and rear bumper	●	●
Rear bumper with integrated diffuser	●	●
Integrated ducktail rear spoiler	●	●
Dual stainless-steel exhaust outlets	●	●
Body-color power exterior mirrors	●	●
Heated exterior mirrors	●	●
Seating and Trim		
6-way manually adjustable driver seat. 4-way manually adjustable front-passenger seat.	●	●
Performance-design front seats with height-adjustable head restraints	●	●
Heated front seats	—	●
Flat-folding rear seatback	●	●
Leather-wrapped 3-spoke steering wheel with red stitching	●	●
Leather-wrapped shifter handle	●	●
Cloth upholstery with red stitching	●	—
Ultrasuede® and leather-trimmed upholstery with red stitching	—	●
Aluminum-alloy pedal covers	●	●
Convenience Features		
Keyless Access with Push-Button Start	●	●
Auto-on/off headlights	●	●
Power front windows with auto-up/down	●	●
Electronic or EyeSight® Adaptive Cruise Control ¹	●	●
3-spoke steering wheel with integrated audio system, Bluetooth®, meter display and cruise control or (if equipped) EyeSight® Adaptive Cruise Control ¹ buttons	●	●
Tilt/telescoping steering column	●	●
Center console with dual-cup holders, dual USB input ports, 3.5mm auxiliary jack and closeable lid	●	●
Single bottle holder in each door panel	●	●
12-volt power outlet in glovebox	●	●
Climate Control		
Dual-zone automatic digital climate control system with air filtration and controls for temperature, 7-speed fan, airflow direction, dual-zone lockout and CFC-free air conditioning	●	●
Instrumentation		
7.0-inch customizable digital gauge cluster with Normal, Sport ¹ and Track display modes, digital speedometer, tachometer, coolant temperature and fuel level displays, G-force meter and lap time displays, and other vehicle functions	●	●

2022 BRZ | Equipment

	BRZ Premium	BRZ Limited
Audio and Communication Systems		
SUBARU STARLINK® 8.0-inch Multimedia Plus system with Apple CarPlay® and Android Auto™ integration, STARLINK® cloud-based applications, high-resolution LCD touchscreen display, voice-activated controls, SiriusXM® ² and SiriusXM Travel Link,® ² AM/FM stereo with HD Radio,® dual USB input ports, and Bluetooth® audio streaming and hands-free phone and text messaging connectivity	●	●
6 speakers	●	—
8 speakers and 2-channel amplifier	—	●
Security		
Keyless entry system with answer-back electronic chirp	●	●
Security system with answer-back electronic chirp	●	●
Engine immobilizer	●	●
Safety		
ACTIVE		
EyeSight® Driver Assist Technology ^{1,3} : Pre-Collision Braking System, Pre-Collision Throttle Management, Lane Departure and Sway Warning, Adaptive Cruise Control	●	●
Blind-Spot Detection with Lane Change Assist and Rear Cross-Traffic Alert ⁶	—	●
Reverse Automatic Braking (RAB) ^{1,7}	—	●
High-Beam Assist (HBA) ¹	●	●
Vehicle Stability Control (VSC)	●	●
Traction Control System (TCS)	●	●
4-wheel antilock braking system (ABS) with Electronic Brake-force Distribution (EBD)	●	●
Brake Assist	●	●
Brake Override System	●	●
Tire Pressure Monitoring System (TPMS) with individual tire pressure display and ID registration for two wheel sets	●	●
LED Daytime Running Lights (DRL)	●	●
Rear-Vision Camera	●	●
PASSIVE		
STARLINK® Safety and Security enabled ⁴ : Advanced Automatic Collision Notification, SOS Emergency Assistance, Emergency Roadside Assistance, Maintenance Notifications, Monthly Vehicle Health Report, Diagnostic Alerts, Remote Engine Start with Climate Control, ^{1,5} Remote Lock/Unlock, Concierge Services and more	—	●
Subaru advanced frontal airbag system with driver and passenger dual-stage deployment front airbags (SRS) ⁹	●	●
Side-curtain airbags protecting front and rear occupants (SRS) ⁹	●	●
Seat-mounted front side-impact airbags (SRS) ⁹	●	●
Driver's knee airbag (SRS) ⁹	●	●
Whiplash-reducing front seats	●	●
Height-adjustable front-seat head restraints	●	●
Height-adjustable 3-point front seatbelts with pretensioners and force limiters	●	●
3-point seatbelts at all rear seating positions	●	●
Front/rear passenger seatbelt warning light/chime	●	●
LATCH system: Lower Anchors and Tethers for CHildren	●	●

● Standard ○ Optional — Not equipped



STI Under Spoiler - Front. STI Front Under Spoiler gives the BRZ a mean, ground-hugging look.



STI Under Spoiler - Side. Continue the mean ground-hugging look down the rocker panels of the BRZ. Kit includes both left and right side under spoilers.



STI Under Spoiler - Rear Quarter. Complete the look on the side of the BRZ with the addition of the rear quarter under spoilers. Kit includes both left and right rear quarter under spoilers.



Rear Bumper Appliqué. Clear, scratch-resistant vinyl film helps to protect bumper upper surface and leading edge. Includes a discreet pearl-colored Subaru logo.



Fender Vent Accent. Intensify the aggressive design of the BRZ with the addition of the Fender Vent Accent. The accent is finished in gloss black and adds a level of attitude to the modern styling of the vehicle. Comes in a set of two.



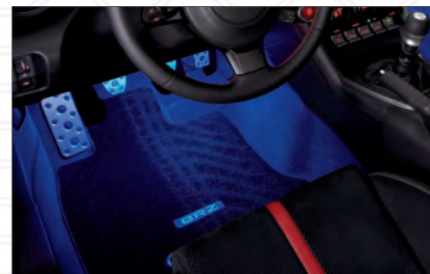
Sunshade - Windshield. The foldable sunshade offers a triple layer of protection to help reduce vehicle temperature up to 40 degrees. Custom-cut to fit properly, it includes a handy storage bag.



Vortex Generator. Add a stylish look of performance to your BRZ with the Vortex Generator.



Rear Bumper Diffuser. Lower rear body panel helps to direct airflow and adds a sculpted finishing touch to the BRZ lower rear body line.



Footwell Illumination Kit. Casts a soft blue glow onto the front floor area.



Auto-Dimming Mirror with Compass and HomeLink®. This upgraded Auto-Dimming Mirror detects glare and darkens automatically to protect your vision while featuring an 8-point digital compass. Three backlit HomeLink® buttons can be programmed to operate most garage doors, security gates, home lighting and more. Can also provide you with the last status of your garage door (open or closed) if programmed to a compatible opener featuring two-way communication.



LED Upgrade - Dome Light. The LED dome light offers brighter, whiter and crisper interior lighting than the standard equipment lighting.



STI Push Engine Switch. Upgrade the stock push start button with the STI Starter Switch. The cherry red button with the STI logo in the center gives the interior of your BRZ a sporty appearance.

Protecting Your Investment

Once you're part of our family, we'll be there for you. Every Subaru comes with 24-hour roadside assistance for 3 years or 36,000 miles. If you have trouble on the road, a tow to the nearest Subaru retailer and other services are just a phone call away. And to protect you over the long haul, we offer Added Security® ...ask for it by name—extended service agreements and maintenance plans that will help protect your car for up to 10 years or 100,000 miles. They're the only mechanical and maintenance plans backed by Subaru, and because we've been backing them for more than 30 years, they're agreements you can trust. Your retailer has full coverage details.



Responsible. Reliable. Ready to join the family.

At Subaru, we're committed to building a lasting, rewarding relationship with you and the world we share. We start by building our vehicles to last—96% of Subaru vehicles sold in the last 10 years are still on the road today.¹⁰ We also share your desire for a cleaner, greener world. In 2004, Subaru of Indiana Automotive, Inc. (SIA) became the first manufacturing facility in the U.S. to reach zero-landfill status—nothing from its manufacturing efforts ever goes into a landfill. Subaru is headquartered in a zero-landfill office in Camden, N.J.

000475 038000 102000 157000 248000



More than a Car Company.®



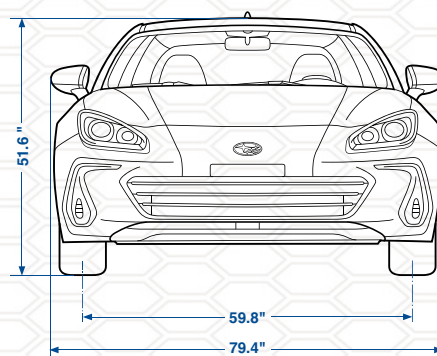
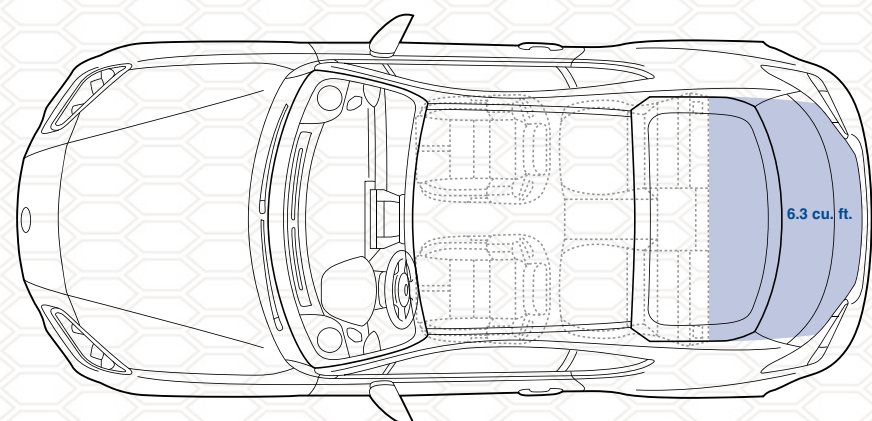
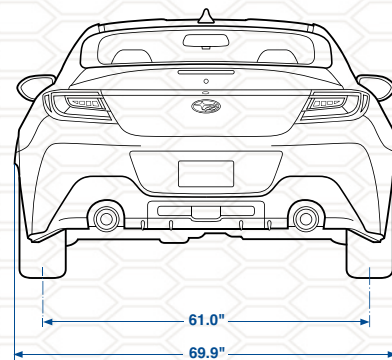
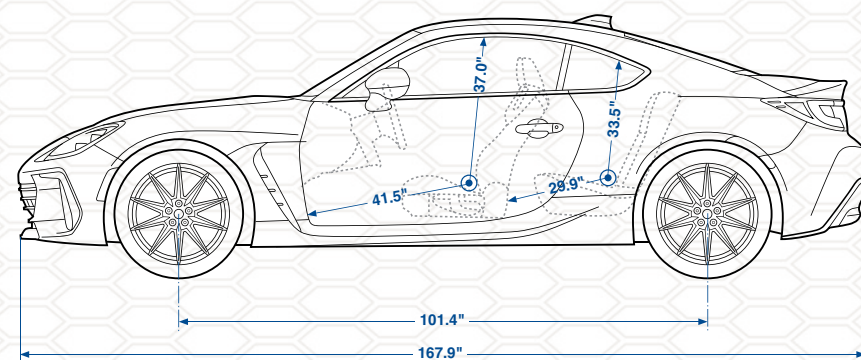
Love means being more than a car company. The **Subaru Love Promise** is our vision to show love and respect to all people at every interaction with Subaru. Together with our retailers, we are dedicated to making the world a better place.

Warranties¹¹

New Car Limited Warranty	3 years or 36,000 miles, whichever comes first.
Powertrain Limited Warranty	5 years or 60,000 miles, whichever comes first.
Wear Item Limited Warranty	3 years or 36,000 miles, whichever comes first. Repairs to the following items will also be covered under Wear Item Limited Warranty: <ul style="list-style-type: none"> • Brake Pads • Wiper Blades • Clutch Linings • Transmitter Batteries
Rust Perforation Limited Warranty	5 years, unlimited mileage.
24-hour Roadside Assistance	3 years or 36,000 miles, whichever comes first.

¹ Requires automatic transmission. See your retailer for details. ² Activation and required monthly subscription sold separately. Includes 4-month trial subscription. See your retailer for details. ³ EyeSight® is a driver assist technology, which may not operate optimally under all driving conditions. The driver is always responsible for safe and attentive driving. System effectiveness depends on many factors such as vehicle maintenance, weather and road conditions. Pre-Collision Braking System is designed to provide automatic braking that either prevents a collision or reduces the severity of a frontal impact. Pre-Collision Throttle Management is designed to reduce acceleration and minimize the severity of certain frontal impacts. Adaptive Cruise Control and Brake Light Recognition are designed to assist the driver and are not substitutes for safe and attentive driving. Lane Departure and Sway Warning and Lane Keep Assist operate only when the lane markings are visible and system effectiveness depends on many factors. See Owner's Manual for complete details on system operation and limitations. ⁴ Activation with subscription required. Includes a 3-year trial subscription to STARLINK® Safety Plus services and a 6-month trial subscription to STARLINK® Safety and Security Plus services. The Concierge plan can be purchased annually or monthly. A credit card on file will be required for specific packages and for renewal purposes. Not available in all states. See your retailer for details. ⁵ Requires subscription to STARLINK® Safety and Security Plus services. 6-month free trial included. Not available in all states. See your retailer for details. ⁶ Blind-Spot Detection, Lane Change Assist and Rear Cross-Traffic Alert are systems designed to assist the driver by monitoring the rear and side areas of the vehicle during a lane change or reversing and are not a substitute for safe and attentive driving. ⁷ The Reverse Automatic Braking System is not a substitute for safe and attentive driving. System effectiveness depends on many factors, such as vehicle maintenance, weather and road conditions. Always exercise caution and use vehicle mirrors and the Rear-Vision Camera when backing up. See Owner's Manual for complete details on system operation and limitations. ⁸ 2022 EPA fuel economy estimates. Actual mileage may vary. ⁹ The Supplemental Restraint System (SRS) (airbags) affords the driver and the front passenger additional protection in moderate to severe frontal and side-impact collisions and outboard 2nd-row passengers additional protection in moderate to severe side-impact collisions. This system provides supplemental protection only, and seatbelts must be worn in order to avoid injuries to out-of-position occupants upon airbag deployment and to provide the best combined protection in a serious accident. Children should always be properly restrained in one of the rear seats. See Owner's Manual for recommended seating position. ¹⁰ Based on Experian Automotive vehicles in operation vs. total new registrations for MY2011-2020 as of December 2020. ¹¹ All Subaru vehicles sold by Subaru of America, Inc. are designed and built for normal driving conditions. The Subaru Limited Warranty, as well as the Subaru Added Security program, excludes damage or failure resulting from modifications or participation in competition or racing events. See the Subaru Warranty & Maintenance Booklet for further details.

2022 BRZ | Dimensions



Length/Width/Height	167.9 inches/69.9 inches (79.4 inches, including mirrors)/51.6 inches
Wheelbase	101.4 inches
Track (front/rear)	59.8 inches/61.0 inches
Base curb weight (manual/automatic)	BRZ Premium: 2,815 lbs./2,864 lbs. BRZ Limited: 2,835 lbs./2,881 lbs.
Center of Gravity (CG)	17.95 inches

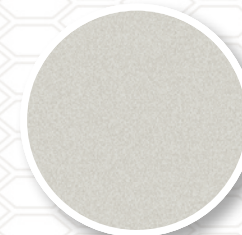
Headroom (front/rear)	37.0 inches/33.5 inches
Legroom (front/rear)	41.5 inches/29.9 inches
Shoulder room (front/rear)	53.6 inches/51.7 inches
Passenger volume	77.2 cubic feet
Trunk volume	6.3 cubic feet

Preproduction vehicles shown, production vehicles may vary. Some images shown are for illustration purposes only. Specifications in this brochure are based on the latest product information available at the time of publication. For the most up-to-date and detailed product information, log on to www.subaru.com. Some equipment shown in photography in this brochure is optional at extra cost. Specific options may be available only in combination with other options. Specific combinations of equipment or features may vary from time to time and by geographic area. Certain accessories and equipment may not be available at the time of publication. Subaru of America, Inc., reserves the right to change or discontinue at any time, without notice, prices, colors, materials, equipment, accessories, specifications, models and packages without incurring any obligation to make the same or similar changes on vehicles previously sold. Colors shown may vary due to reproduction and printing processes.

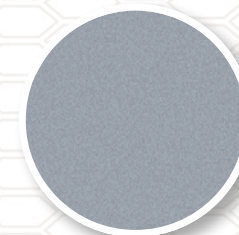
This brochure was prepared by Subaru of America, Inc. A warranty from Subaru of America, Inc., is available only on cars sold to the first retail purchaser through an authorized Subaru retailer in the continental U.S. or Alaska. Subaru, SUBARU BOXER, BRZ, STARLINK, SUBARU STARLINK and EyeSight are registered trademarks of SUBARU CORPORATION. Added Security and More Than a Car Company are registered trademarks of Subaru of America, Inc. Apple CarPlay® and iPod® are registered trademarks of Apple Inc. BRIN NAUB® is a registered trademark of TB Kawashima Co., Ltd. Android Auto™ is a trademark of Google LLC. Bluetooth® is a registered trademark of Bluetooth SIG, Inc. HomeLink® is a registered trademark of Gentex Corporation. HD Radio® is a registered trademark of iBiquity Digital Corporation. Michelin® and Pilot® are registered trademarks of Michelin North America Inc. SiriusXM® Traffic® and Travel Link® are registered trademarks of SiriusXM Radio Inc. TORSEN® is a registered trademark of JTEKT Torsen North America, Inc. Ultrasuede® is a registered trademark of Toray Industries, Inc. For more information, contact your Subaru retailer, or log on to www.subaru.com.

2022 BRZ | Colors

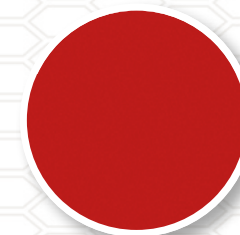
Paint



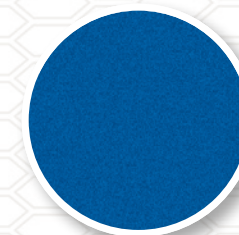
Crystal White Pearl



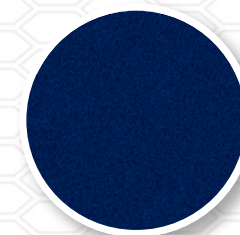
Ice Silver Metallic



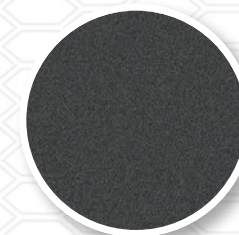
Ignition Red



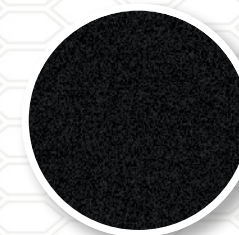
WR Blue Pearl



Sapphire Blue Pearl



Magnetite Gray Metallic

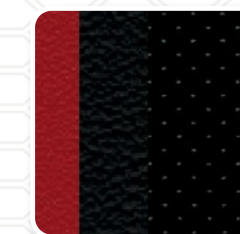


Crystal Black Silica

Upholstery



Black Cloth
(BC)



Black / Red
Leather / Ultrasuede®
(BLA)

Color Combinations

	BRZ Premium	BRZ Limited
Crystal White Pearl	BC	BLA
Ice Silver Metallic	BC	BLA
Ignition Red	BC	BLA
WR Blue Pearl	BC	BLA
Sapphire Blue Pearl	BC	BLA
Magnetite Gray Metallic	BC	BLA
Crystal Black Silica	BC	BLA

See the BRZ in Action

Visit our YouTube channel to see BRZ videos, feature highlights, model reviews and much more.

 youtube.com/subaru



This brochure was printed with vegetable-based inks and produced using a "Green Printing Process." The Forest Stewardship Council® (FSC®) is an international organization that brings people together to find solutions which promote responsible stewardship of the world's forests and environments.

By producing these brochures in a green way rather than by traditional methods, we saved 24 trees preserved for the future; 5,000 gallons of wastewater flow saved; 100 lbs solid waste not generated; 14,000 lbs net greenhouse gases prevented; 10,000,000 BTUs energy not consumed. Calculations provided by Environmental Paper Network. FSC® is not responsible for any calculations on saving resources by choosing this paper.

This brochure is printed in the U.S.A. on 10% recycled paper. ©2021 Subaru of America, Inc. 22.BRZSRB.625 (DSGN-P564, 60K, 9/21, KSL)



Love.® It's what makes Subaru, Subaru.

